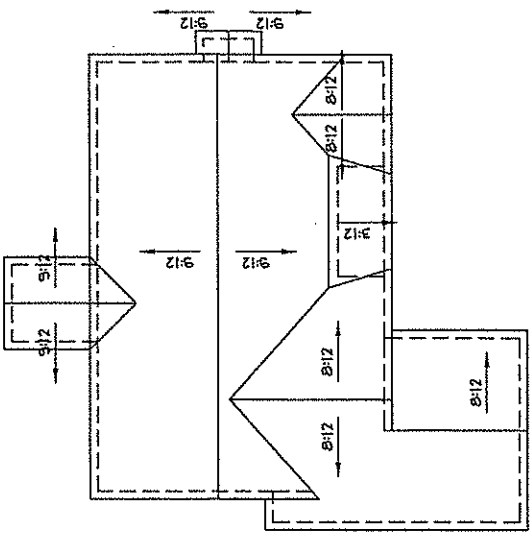
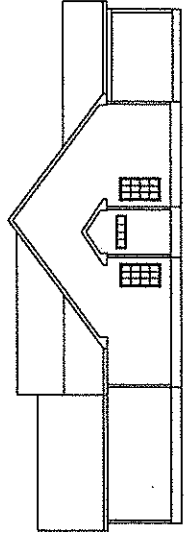


PLOT DATE 7/10/17 REVISIONS	LOT 12 PINNACLE RIDGE	ELEVATIONS SCALE: AS NOTED	1/1
1 2 3 4			



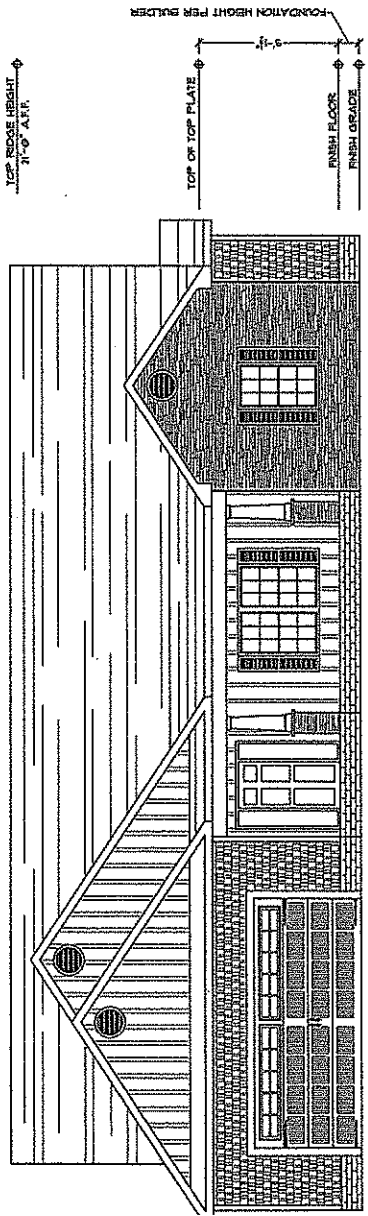
ROOF PLAN

$1/16" = 1'-0"$



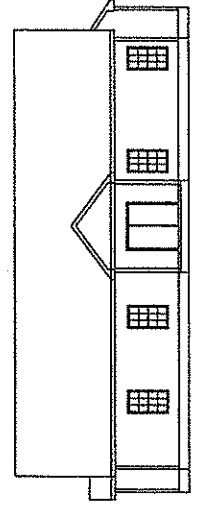
RIGHT ELEVATION

$1/16" = 1'-0"$



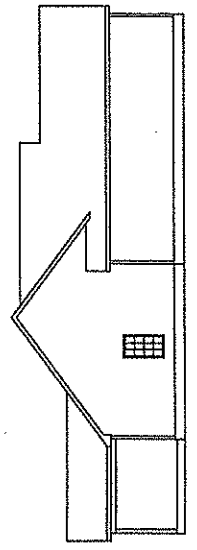
FRONT ELEVATION

$1/8" = 1'-0"$



REAR ELEVATION

$1/16" = 1'-0"$



LEFT ELEVATION

$1/16" = 1'-0"$

PLOT DATE

PREPARED FOR
CLC, INC.
PREPARED BY
BAKER BUILT
HOMES, LLC
P.O. BOX 135
JACKSONVILLE, NC
910.455.9971



HEATED 90. FT. 1ST FLOOR-1888

SCALE: 1/8" = 1'-0"

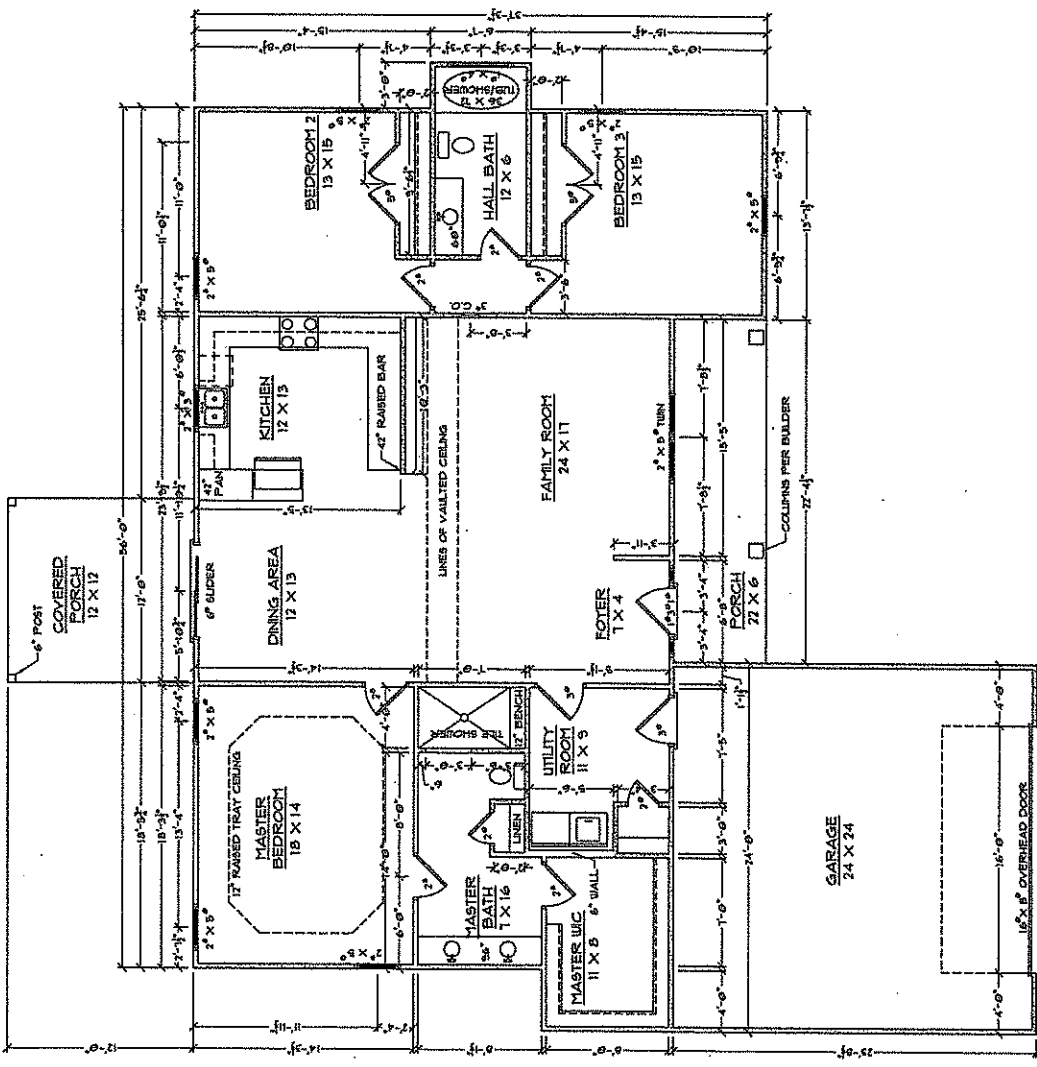
FLOOR PLAN

LOT 12 PINNACLE RIDGE

© COPYRIGHT
BAKER BUILT
HOMES, LLC
2016

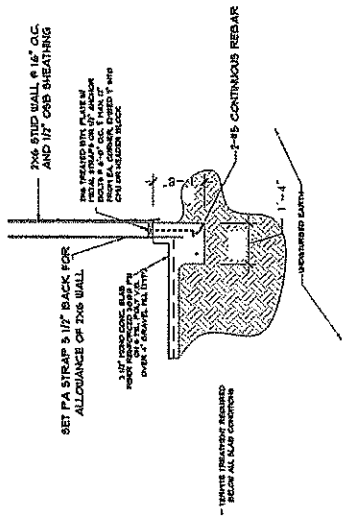
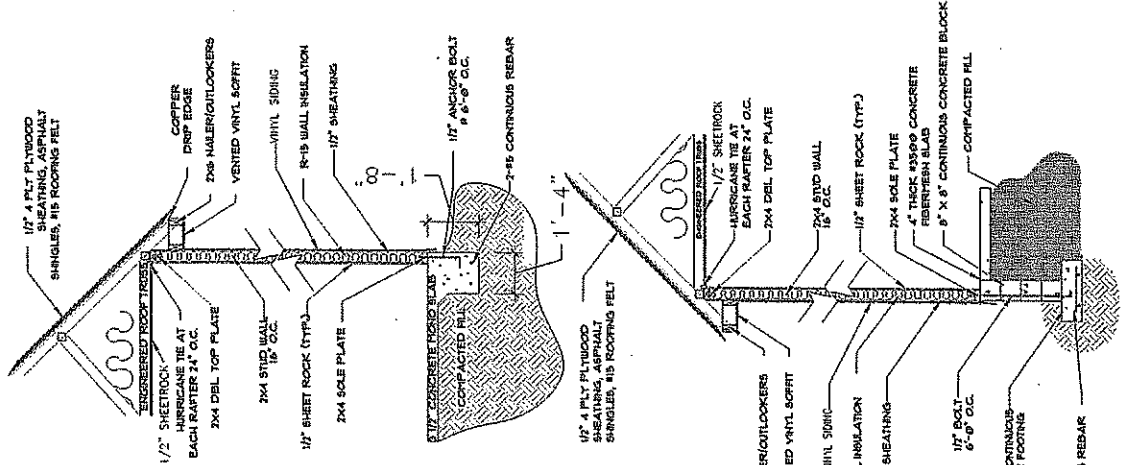
2/7

IT IS THE SOLE RESPONSIBILITY OF THE CONTRACTOR AND/OR BUILDER TO CONFORM TO ALL STANDARDS, PROVISIONS, REQUIREMENTS, METHODS OF CONSTRUCTION AND USES OF MATERIALS PROVIDED IN BUILDINGS AND/OR STRUCTURES AS REQUIRED BY THE INTERNATIONAL BUILDING CODE, LOCAL AGENCIES, AND IN ACCORDANCE WITH GOOD ENGINEERING PRACTICE. VERIFY ALL DIMENSIONS PRIOR TO CONSTRUCTION. ALL UNAUTHORIZED USE OR MODIFICATIONS OF THIS DRAWING, WHOLE OR IN PART, IS STRICTLY PROHIBITED.

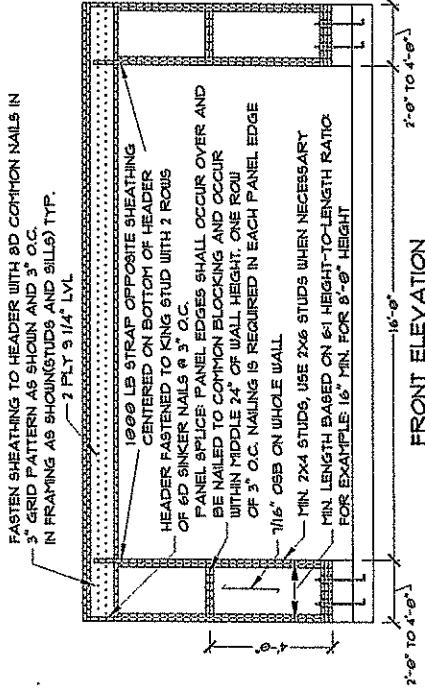
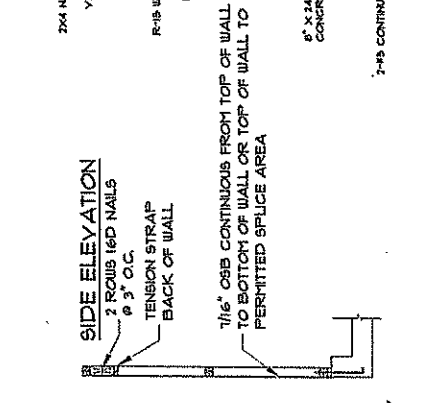


PLOT DATE	PREPARED FOR C.L. NK BAKER BUILT HOMES, LLC	PREPARED BY BAKER BUILT HOMES, LLC JACKSONVILLE, NC 910.455.6661	LOT 12 PINNACLE RIDGE	TYP. WALL SECT.	SCALE: AS NOTED
				COPYRIGHT BAKER BUILT HOMES, LLC 2016	
5/7					

IT IS THE SOLE RESPONSIBILITY OF THE CONTRACTOR AND/OR BUILDER TO CONFORM TO ALL STANDARDS, PROVISIONS, REQUIREMENTS, METHODS OF CONSTRUCTION AND USES OF MATERIALS PROVIDED IN BUILDINGS AND/OR STRUCTURES AS REQUIRED BY THE INTERNATIONAL BUILDING CODE, LOCAL AGENCIES, AND IN ACCORDANCE WITH GOOD ENGINEERING PRACTICE. VERIFY ALL DIMENSIONS PRIOR TO CONSTRUCTION. ALL UNAUTHORIZED USE OR MODIFICATIONS OF THIS DRAWING, WHOLE OR IN PART, IS STRICTLY PROHIBITED.



④ STEM @ GARAGE W/ SIDING
TYPICAL WALL SECTION
1/4" = 1'-0"

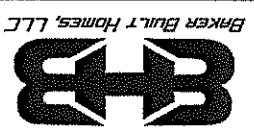


⑤ GARAGE FRONT WALL

PREPARED FOR C.L. NK BAKER BUILT HOMES, LLC	PREPARED BY BAKER BUILT HOMES, LLC JACKSONVILLE, NC 910.455.6661	LOT 12 PINNACLE RIDGE	TYP. WALL SECT.	SCALE: AS NOTED
---	---	-----------------------	-----------------	-----------------

PLOT DATE

PREPARED FOR
CLC, INC.
BAKER BUILT
HOMES, LLC
P.O. BOX 1335
JACKSONVILLE, NC
910.455.6561

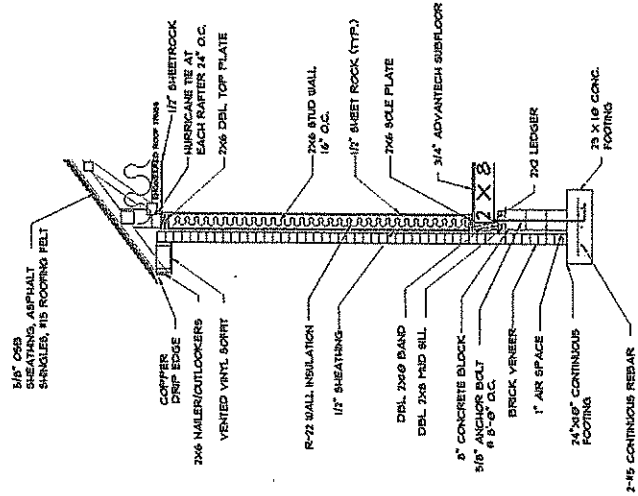


LOT 12 PINNACLE RIDGE
TYP. WALL SECT. SCALE: AS NOTED

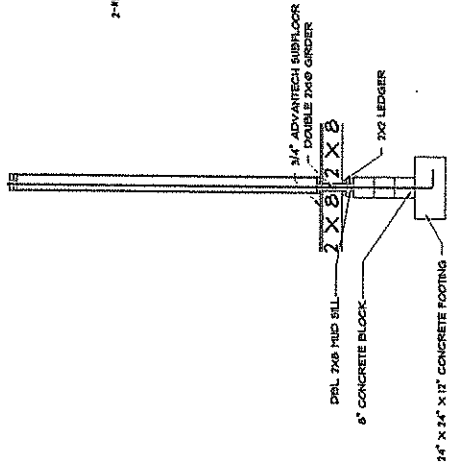
© COPYRIGHT
BAKER BUILT
HOMES, LLC
2016

6/7

IT IS THE SOLE RESPONSIBILITY OF THE CONTRACTOR AND/OR BUILDER TO CONFORM TO ALL STANDARDS, PROVISIONS, REQUIREMENTS, METHODS OF CONSTRUCTION AND USES OF MATERIALS PROVIDED IN BUILDINGS AND/OR STRUCTURES AS REQUIRED BY THE INTERNATIONAL BUILDING CODE, LOCAL AGENCIES, AND IN ACCORDANCE WITH GOOD ENGINEERING PRACTICE. VERIFY ALL DIMENSIONS PRIOR TO CONSTRUCTION. ALL UNAUTHORIZED USE OR MODIFICATIONS OF THIS DRAWING, WHOLE OR IN PART, IS STRICTLY PROHIBITED.



① TYP. WALL SECTION



② TYP. PIER (NO A.B. IF NO UPLIFT)

FLOORING SCHEDULE	
ROOM	TYPE
KITCHEN	
BREAKFAST	
MASTER BED 1	
MASTER BED 2	
MASTER BATH 1	
MASTER BATH 2	
BEDROOM 2	
BEDROOM 3	
BEDROOM 4	
BEDROOM 5	
BEDROOM 6	
LAUNDRY	
KEEPING	
STORAGE	
PLAYROOM	
BONUS ROOM	
OFFICE/STUDY	
FOYER	
LIVING	
DINING	
BATHROOMS	

NOTES:

- 1: ATTIC VENTILATION PER LOCAL CODES.
- 2: ALL ANGLES ARE 45° UNLESS OTHERWISE POSTED.
- 3: PROVIDE SUPPORT FOR PORCH AND STEPS TO GRADE AS REQUIRED.
- 4: ALL CEILING JOISTS AND RAFTERS BRACING TO BEAR ON LOAD BEARING WALLS DESIGNED TO CARRY LOAD THRU ALL LEVELS AND TERMINATE AT BASEMENT FLOOR AND BE SUPPORTED BY THICKENED SLAB GRADE BEAM OR FOOTING DESIGNED TO CARRY LOAD

SPECIAL NOTES:

1:

IT IS THE SOLE RESPONSIBILITY OF THE CONTRACTOR AND/OR BUILDER TO CONFORM TO ALL STANDARDS, PROVISIONS, REQUIREMENTS, METHODS OF CONSTRUCTION AND USES OF MATERIALS PROVIDED IN BUILDINGS AND/OR STRUCTURES AS REQUIRED BY THE INTERNATIONAL BUILDING CODE, LOCAL AGENCIES, AND IN ACCORDANCE WITH GOOD ENGINEERING PRACTICE. VERIFY ALL DIMENSIONS PRIOR TO CONSTRUCTION. ALL UNAUTHORIZED USE OR MODIFICATIONS OF THIS DRAWING, WHOLE OR IN PART, IS STRICTLY PROHIBITED.

LOT DATE

PREPARED FOR
CCL, INC.
BAKER BUILT
HOMES, LLC
P.O. BOX 1339
JACKSONVILLE, NC
910.455.6561



SCALE: AS NOTED

NOTES

LOT 12 PINNACLE RIDGE

© COPYRIGHT
BAKER BUILT
HOMES, LLC
2016

7/7